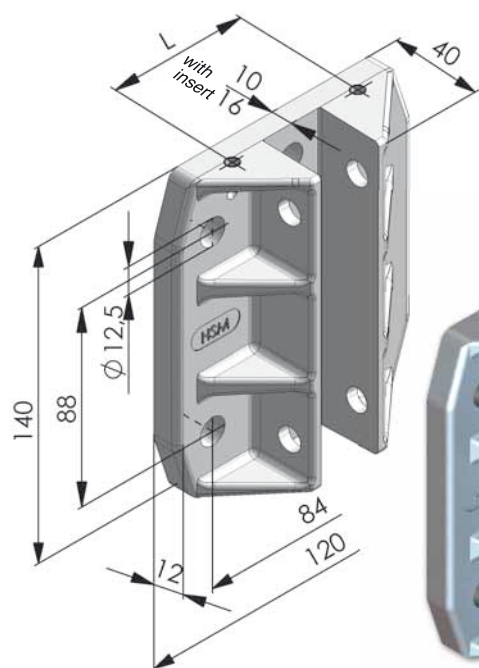


ACLA Guide Shoe, type HSM

- installation height 140 mm
- undamped and damped guide shoe inserts for rail widths of 5 - 20 mm
- rail lubricators AK 2 and AK 10 are appropriate



The advantages of the ACLA guide shoe, type HSM

- functional design
- low weight by use of light metal alloy base
- excellent stability and durability
- minimum space occupied
- can be used in a variable way in combination with ACLA guide shoe inserts for all rail widths
- easy to maintain in combination with ACLA guide shoe inserts and ACLA rail lubricators

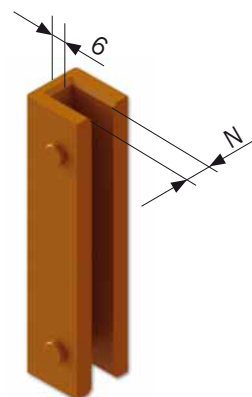
art. nos./types ACLA guide shoe HSM

art. no. 380 001 (L = 64 mm)
2 bores for tapping screw M5

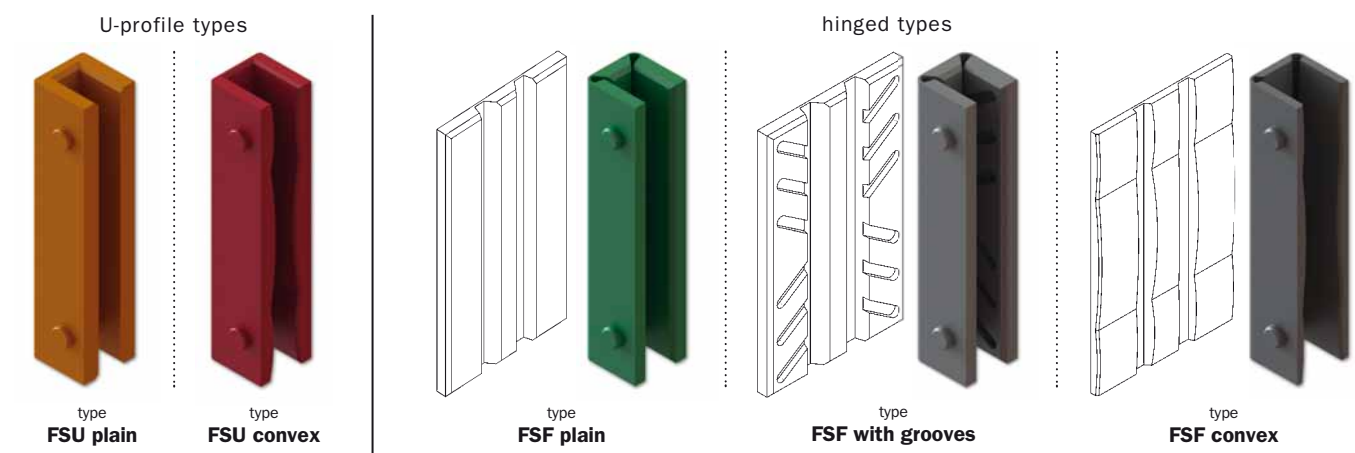
art. no. 380 810 (L = 64 mm)
2 bores for threaded screw M6

art. no. 380 187 (L = 61,5 mm)
2 bores for tapping screw M6

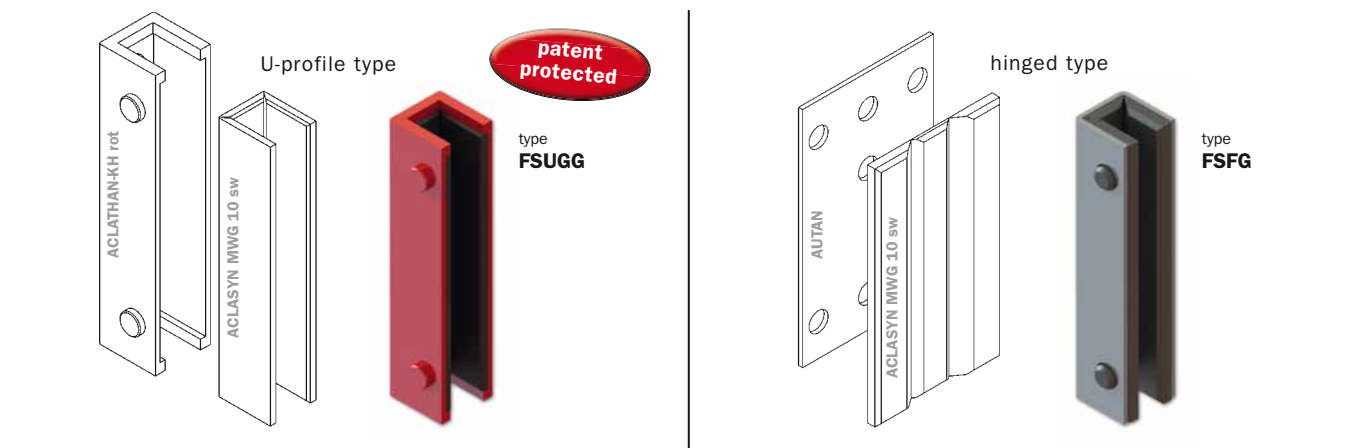
art. no. 380 187.01 (L = 61,5 mm)
2 bores for threaded screw M6



Appropriate guide shoe inserts for ACLA guide shoe HSM - undamped -



Appropriate guide shoe inserts for ACLA guide shoe HSM - damped -



Appropriate ACLA rail lubricators for guide shoe HSM

(for detailed information on ACLA rail lubricators, please see page 33)



Rail lubricator AK 2

art. no. 90 323
(for art. no. 380 001)

art. no. 90 323.03
(for art. no. 380 810)

ACLA guide shoe HSM, mounted with lubricator AK 2 and damped guide shoe insert, type FSUGG (ACLATHAN-KH red/ ACLASYN MWG 10 sw)



Rail lubricator AK 10 art. no. 90 021

ACLA guide shoe HSM, mounted with lubricator AK 10 and undamped guide shoe insert, type FSF convex (ACLASYN GR)

Complete guide shoe HSMG with guide shoe insert, type FSFG



Damped guide shoe HSMG with cellular layer of AUTAN combined and with insert of ACLASYN MWG 10 sw.

With excellent noise- and vibration damping properties.

rail width N	article no.
9 mm	380 817.05
10 mm	380 809.05
14 mm	380 818.05
16 mm	380 808.05

Complete guide shoe HSMGG with guide shoe insert, type FSUGG



Damped guide shoe HSMGG with combined insert of ACLATHAN-KH red and ACLASYN MWG 10 sw.

With excellent noise- and vibration damping properties.

Patent protected

rail width N	article no.
9 mm	380 817.06
10 mm	380 809.06
14 mm	380 818.06
16 mm	380 808.06

article numbers for HSM guide shoe inserts

insert type	material*	for rail width N															
		5 mm	6 mm	8 mm	9 mm	10 mm	12 mm	13 mm	14 mm	15 mm	16 mm	19 mm	20 mm				
undamped	FSU plain		200 003				200 006	200 007									
	FSU convex		200 012		200 013	200 005	200 014		200 015		200 168	200 235	200 166				
	FSF plain	ACLATHAN-KH	200 182			200 169	200 005										
		ACLAMID	200 176														200 321
		ACLASYN GR	200 230														
	FSF with grooves	ACLASYN MWG 10 sw				200 292.04	200 284.04								200 285.04	200 298.04	
		ACLATHAN-KH			200 018												
		ACLAMID				200 225						200 206		200 208			
	FSF convex	ACLASYN GR				200 228	200 251				200 204		200 226				
		ACLATHAN						200 288					200 016				
		ACLASYN GR						200 305					200 227				
	damped	FSFG				200 306.05	200 293.05				200 295.05		200 296.05				
FSUGG					200 306.06	200 293.06				200 295.06		200 296.06					

*Characteristics and description of ACLA materials, please see page 6